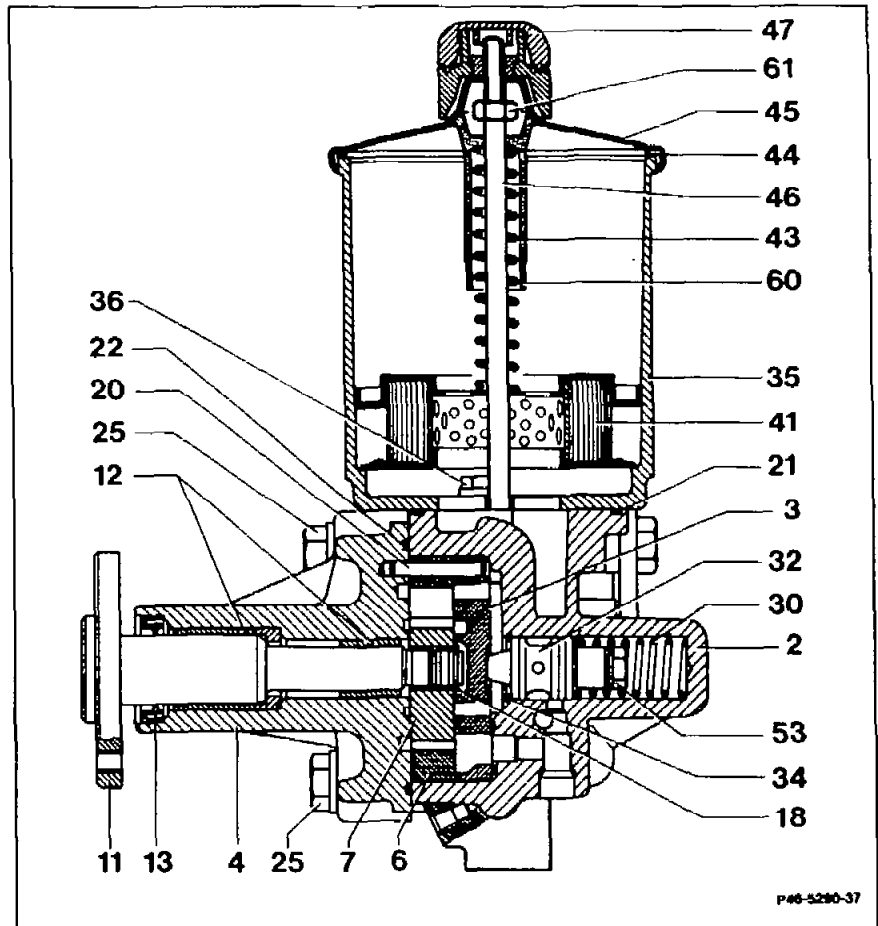


## Disassembly



1 Unscrew breather cap (47), take off end cover (45).

2 Unscrew self-locking nut (61) downwards from the stud bolt, take off plastic sleeve (60), spring (43) and filter set (41).

3 On the Vickers/LUK power steering pump, the fluid reservoir (35) can be removed. Replace O-ring.  
On the ZF power steering pump, the fluid reservoir is cast on to the pump housing (2).

